

AC-M1 Single Point Actuators

Stainless steel · M1 style actuator

Features

- Single, round-hole installation
- Locking style restricts access
- Premium finish and corrosion resistance

Accessories (38 mm version)

- Spacer: M1-510-96-1
- Mounting screws: M1-510-96-4
- One key supplied per latch, for additional keys order M7-88-9121324-S



Accessories (50 mm version)

- For lock style 4, key (pair): M1-546
- For lock style 7, overmoulded key S008 (pair): M1-525-39-S008



Material

- Latch: 316 grade stainless steel, bright polished
- Spacer: Nylon, black

Product Performance

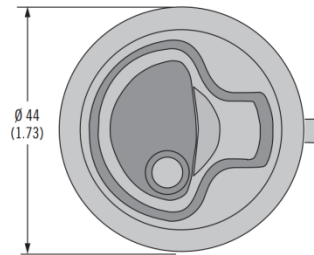
- Max. static load: 545 N

Cables

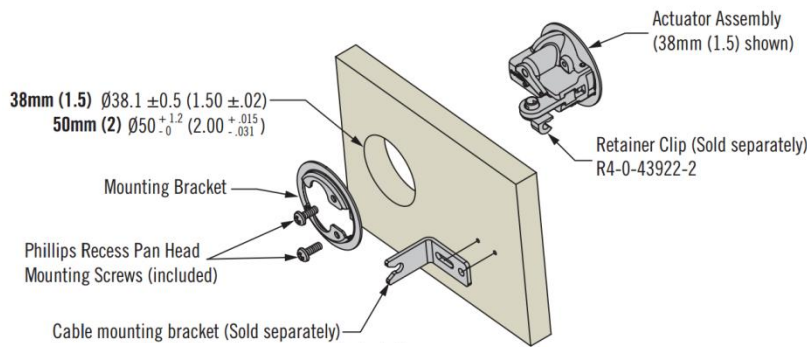
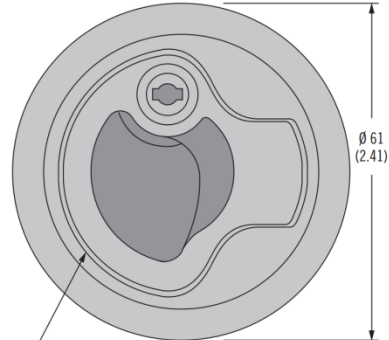
- Constructed from marine grade stainless materials, the cable is suitable for multiple bends and can be further customized upon request



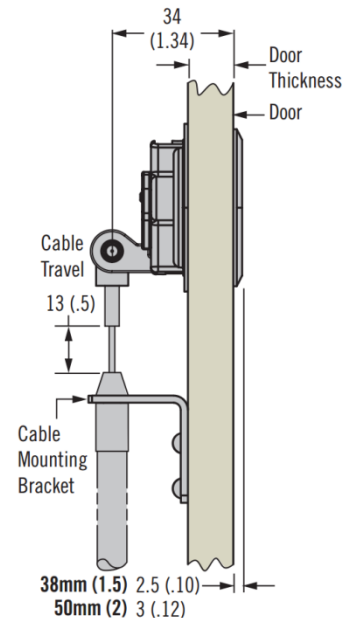
38mm (1.5")
Shown actual size



50mm (2")
Shown actual size



Locking handle shown
(also available as non-locking)



Size	Actuator Assembly	Part Number	Door Thickness	Cable Mounting Bracket
38mm (1.5)	Locking (2 keys supplied)	AC-M1-15-41-8	9 mm	R4-0-50253-1
			12 mm	R4-0-50253-2
	Non-Locking	AC-M1-15-61-8	9 mm	R4-0-50253-1
			12 mm	R4-0-50253-2
50mm (2)	Locking (2 keys supplied)	AC-M1-42-8	9 mm	R4-0-50253-1
			AC-M1-43-8	12 mm
	Non-Locking	AC-M1-62-8		9 mm
			AC-M1-63-8	12 mm
	Key-Locking keyed alike S008	AC-M1-72-8		9 mm
			AC-M1-73-8	12 mm